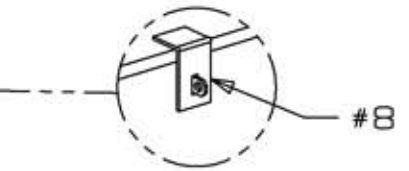
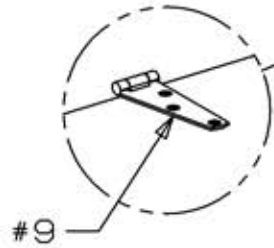


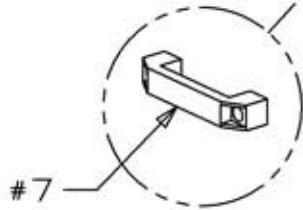
HINGES CAN BE SEPERATE OR 1 FULL LENGTH HINGE. HINGES CAN BE FASTENED USING #6 X 1/2 SCREWS



HASP TO LOCK THE BOX IS OPTIONAL. USE #6 X 1/2 SCREWS

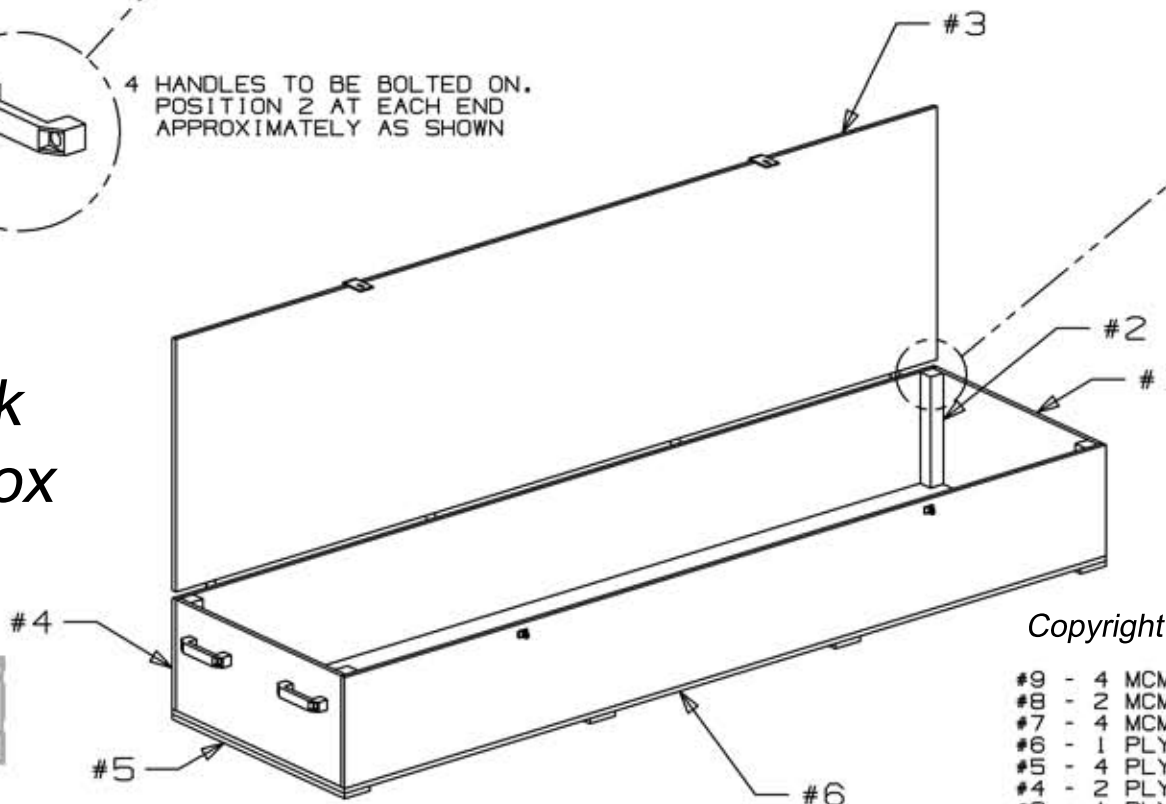
USE #6 X 1-1/2 WOOD SCREWS TO FASTEN THE PLYWOOD TOGETHER

4 HANDLES TO BE BOLTED ON. POSITION 2 AT EACH END APPROXIMATELY AS SHOWN



USE 2X2 LUMBER IN THE CORNERS FOR ADDITIONAL STRENGTH

BestTrack Storage Box



Copyright 2006-2008 SRM Enterprises, Inc.

- #9 - 4 MCMASTER CARR HINGE #1526A44
- #8 - 2 MCMASTER CARR HASP #1546A5
- #7 - 4 MCMASTER CARR HANDLE #1078A32
- #6 - 1 PLYWOOD FLOOR .50 X 25.00 X 90.00
- #5 - 4 PLYWOOD SKIDS .50 X 3.00 X 25.00
- #4 - 2 PLYWOOD SIDES .50 X 11.00 X 90.00
- #3 - 1 PLYWOOD LID .50 X 25.00 X 90.00
- #2 - 4 LUMBER CORNERS 2 X 2 X 11.50
- #1 - 2 PLYWOOD ENDS .50 X 11.00 X 24.00

Note: The width of this box is designed to accommodate up to a 6 lane track. Add 7" to the width of the box for 8 lane tracks. Because of the 11 inch box depth, two boxes are needed for 4, 6 and 8 lane tracks, unless the depth is modified.